

When activated the luminaire will automatically perform a duration test every six-months.

After Power ON, the Status LED on a Clevertest Plus enabled fitting will display a rapid Green or Red flashing for a period up to 2 minutes.

Zoneworks, HIVE and DATA Monitored Options

Fittings with part numbers -ZW, -HV/-HVG, -DATA are fitted with Zoneworks communications modules (nodes). These fittings are monitored using either Powerline Carrier Technology that utilise the power cable to provide data communication, RF transceiver modules operating in the ISM band or a dedicated data cable to/from data routers installed on a dedicated data trunk connected to a central Server (can also be connected via Ethernet/Internet/Fibre). Zoneworks software on the server is used to monitor, coordinate testing and collate test data from each fitting. Zoneworks Fittings can be commissioned by a single push of the test switch or by scanning the supplied barcode. The LED Test Switch indicator provides a multifunction indication of the status of the fitting during testing and normal operation:

Option	State	LED Operation
ZW, HV, HVG, DATA	Commissioned	LED on Solid (Green)
ZW, DATA	Un-commissioned	Batt plugged-in: yellow 1s, green 1s
		Batt unplugged: red 1s, off 1s
HV, HVG	Un-commissioned With network connectivity	Batt plugged-in: yellow 1s, green 1s
		Batt unplugged: red 1s, off 1s
HV, HVG	Un-commissioned Without network connectivity	Batt plugged-in: yellow 250mS, green 250mS, yellow 250mS, green 250mS, green 1s
		Batt unplugged: red 250mS, off 250mS, red 250mS, off 250mS, off 1s
ZW, DATA	Emergency Light Test In Progress	LED flashes at yellow 5s , Off 1s
HV, HVG	Emergency Light Test In Progress	LED flashes at yellow 1s , Off 1s

In the case of the DATA version a 2-way “figure 8” cable and terminal block facilitates the connection to the DATA network via a multi-drop bus (daisy chain connection). For further information of installation of a Zoneworks system, please refer to the Zoneworks Users Guide and Commissioning Guide (incl. DATA version)

DALI EM Option

Luminaires with part numbers having -DALI are fitted with DALI modules (nodes) that facilitate connection and integration to 3rd Party Lighting Control Systems. Before installing the -DALI luminaire, please confirm that the Lighting Control System has the capability to monitor DALI Emergency Luminaires. The -DALI fitting will be addressed and configured into the control system by the Lighting Control System Commissioning Technicians and not Clevertronics.

State	LED Operation
Commissioned/ Un-commissioned	LED on Solid (Green)
Emergency Light Test in progress	LED flashes at 1s On (Yellow) & 1s Off
“IDENTIFY COMMAND”	Lamp and Status LED Flash for 30 seconds

A 2-way “figure 8” cable and terminal block facilitates the connection to the DALI network. DALI connections are marked as Da Da.



**L10™ Weatherproof LIFELIGHT PRO Ceiling Mount
Installation & Maintenance Instruction Leaflet**



Victoria (Head Office & Manufacturing)
 Website: www.clevertronics.com.au
 Email: info@clevertronics.com.au
 Phone: +61 3 9559 2700
 Fax: +61 3 9559 2799

New South Wales
 Phone: +61 2 8805 6400
 Fax: +61 2 8805 6444


Queensland
 Phone: +61 7 3442 9700
 Fax: +61 7 3442 9777

South Australia/Northern Territory
 Phone: +61 8 8301 8800
 Fax: +61 8 8351 8286

Western Australia
 Phone: +61 8 9207 0000
 Fax: +61 8 9207 0088

New Zealand
 Phone: +64 800 548 448

Designed in Australia to comply with the requirements of AS2293.3: 2005, AS CISPR15: 2017

NOTE: Standard product codes with this symbol  are enabled with Clevertest Plus capability. Please refer to the operation guide supplied with the product for details.

Models:

LWPLIFE-PRO-xx-CM-uu-yy-xxx

Testing:

Manual Test xx = Blank
 Zoneworks xx = ZW
 Z/W DATA xx = DATA
 Zoneworks HIVE xx = HV/HVG
 DALI xx = DALI



Options:

Colour variants yy=BLK, MSLV
 xxx = WHT, RAL
 Tamper Proof uu = TP

Spare Parts:

15300230 Replacement Battery
 1100872 Replacement Emergency LED Head (-BLK)
 1100869 Replacement Emergency LED Head
 AUM01370120001 Replacement Emergency Driver

Important:

It is illegal for anyone, except for a licensed electrician to install or maintain this product. Before installation, ensure that the electricity supply has been switched off and isolated. Installation must be carried out in accordance with the relevant Australian and International Standards.

Installation:

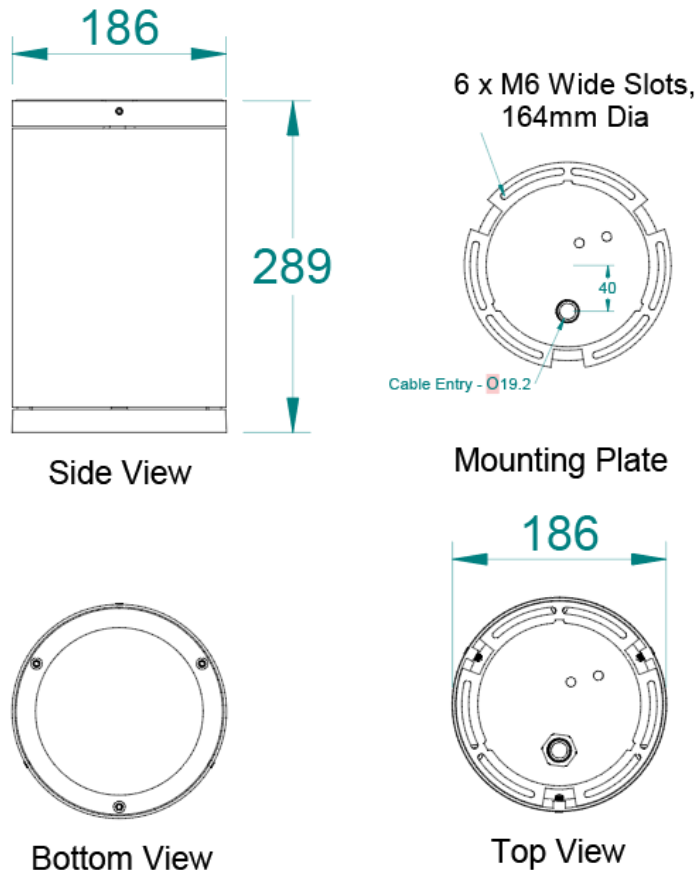
This LWPLIFE-PRO-CM is a ceiling mount Emergency Luminaire.

- Loosen the grub screw and remove the mounting plate from the fitting.
- Locate the installation position.
- Using the mounting plate as a template, mark out the holes required to mount.
- Position the plate to the surface while routing the power cable through the gland.
- Circular power cable recommended to maintain IP rating
- Use suitable fixings to fasten the mounting plate to the mounting surface.
- Route and terminate the supply cables to the L, N & E terminals in the gear tray.(in the case of the –DALI or –DATA fittings terminate the DALI or DATA cable to the terminals marked Da Da or DATA).
- Check gland is tight with a good seal.
- Reinstall the main assembly and secure with the grub screws.
- Apply power to the fitting and check operation.
- If the CTP capabilities are activated, please affix the CTP status label to a visible surface and Four Segment Marking on the product will include an "F" in third segment block.

Networking:

When installing the product on a monitored network, (ZONENETWORKS, HIVE, DATA, DALI) simply insert the relevant Smart Node PCA. Record the node's unique serial number on the logbook's baseline data

Dimensions:



Testing:

When the LWPLIFE-PRO-CM unit is connected to the un-switched active, it must be allowed to charge the battery for at least 24 hours. The emergency lamp only illuminates during a power failure. Conduct the following tests:

- During the first commissioning test the emergency lamp must illuminate for at least 2 hours after disconnection from the main supply. The results of all tests are required to be recorded in a service logbook, which is to be kept on-site at all times. If the unit fails to illuminate for the requisite time, remedial action must be taken to repair the situation and once completed, the unit must pass the next subsequent test.
- To test, remove the screws holding the glass cover to the fitting to access the test button.
- Press and hold Test Button check that the emergency lamp is On.
- Alternately, turn off Mains Supply to the fitting. Verify the lamp is on.
- Release the Test Button or Switch on Mains Supply, check that the emergency lamp is Off (Non-maintained operation).

Trouble Shooting:

Below are a list of common problems and their possible causes.

Fault: The Green LED Test Switch indicator is not illuminated.

Check: A.C. is connected and is turned on.
Battery is connected
Test Switch for damage.

Fault: Lamp does not illuminate in emergency mode.

Check: A.C. is connected.
Lamp is connected.
Battery is connected

Fault: Lamp illuminates in emergency mode, but only stays on for a short period.

Check: Battery has been allowed to charge for at least 24 hours.
Battery for damage.

Rated Emergency Lumen Output in accordance with AS2293.1,(refer to spacing tables for installation positions):

Refer to the Technical Label for classification information.

Caution:

On many building sites, power circuits may be cut off in an uncontrolled and repetitive basis during construction. As a result, any Exit & Emergency Units, on these circuits, will have their batteries discharged or "cycled". The battery in this fitting has been selected to give excellent long-life performance in a controlled AS2293 testing environment. Excessive battery cycling will reduce through-life performance and may lead to premature battery failure. Battery warranty claims, as a result of such abuse, are specifically EXCLUDED from Clevertronics warranty terms.

Warranty:

For Product Warranty information and Terms and Conditions of Sales please refer to our website <http://clevertronics.com.au/terms-conditions-sale-australia-nz/>

This luminaire (with reinforced insulation between control/LED terminal and AC Supply) contains non-user replaceable light source – to be replaced (if required) by the manufacturer or his service agent or a similar qualified person.